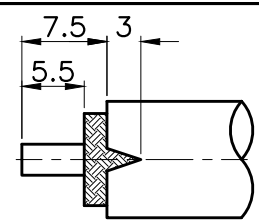
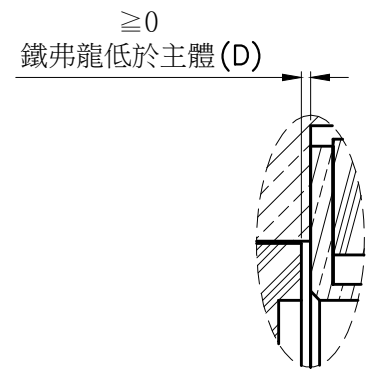
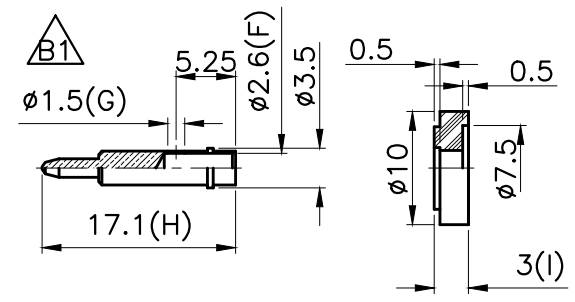
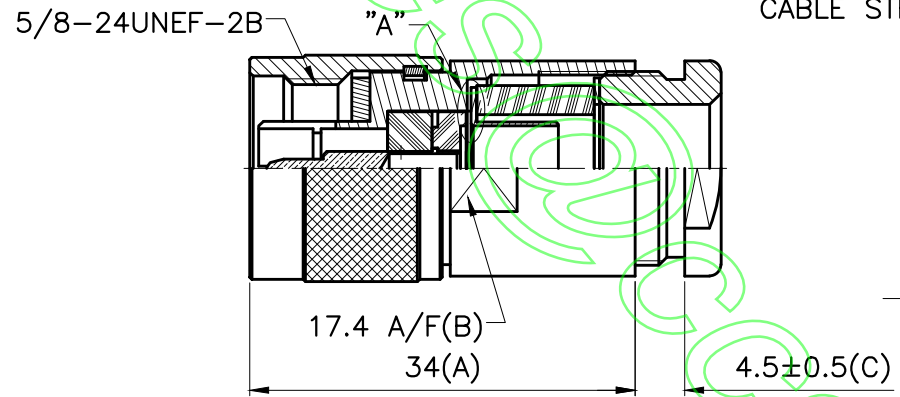


ISS	REVISIONS
	DESCRIPTION \ DATE

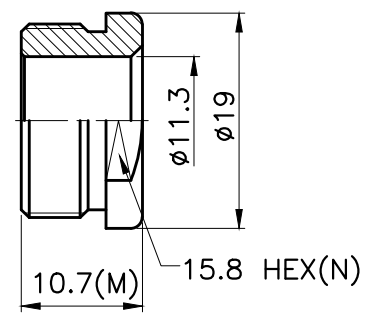
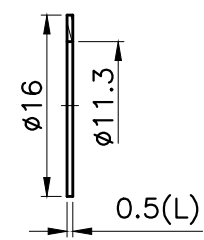
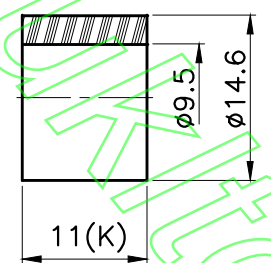
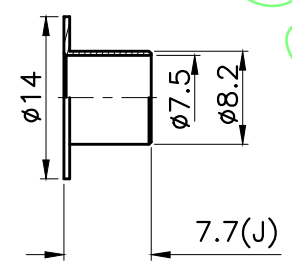
RoHS COMPLIANT



RECOMMENDED CABLE STRIPPING DIM'S



A VIEW



TITLE: N MALE CLAMP
(FOR RG214, RG213)

PART NO: NPSC21401

DR. NO: 030

APRD:
CHKD:
DR:

DATE: 03/21/12"

SHEET: .

UNLESS OTHERWISE SPECIFIED TOLERANCES
0.5-6 = ±0.2
>6-30 = ±0.4
>30-120 = ±0.6
>120-315 = ±1
>315-1000 = ±1.6
ANGLES = ±5°

UNIT: mm

SCALE: 1.5/1

	NUT	BRASS	NICKEL
	WASHER	BRASS	NICKEL
	GASKET	SILICONE	WHITE
	TOP HAT	BRASS	NICKEL
	INSULATOR	TEFLON	WHITE
	CONTACT PIN	BRASS	GOLD
	INSULATOR	TEFLON	WHITE
	BODY	BRASS	NICKEL
	RING	BRASS	NONE
	GASKET	SILICONE	WHITE
	SHELL	BRASS	NICKEL
NO.	DESCRIPTION	MATERIAL	FINISH